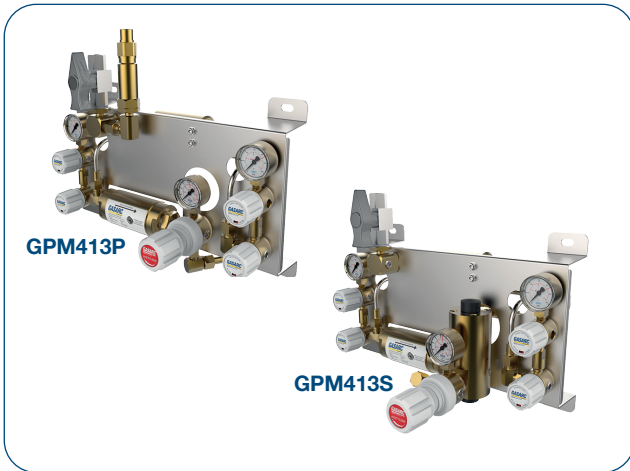




Tech Master GPM413 Series

4.5 Purity Single Stage Twin Cylinder Manual Control Panel
for Acetylene



The Tech Master GPM413 Series single stage twin cylinder control panels are designed for primary pressure gas control of technical grade Acetylene gas up to 4.5 purity (99.995%), on applications where constant delivery pressure is required as the cylinder pressure decreases.

- **GPM413P** Series | Single Stage Twin Cylinder Manual Control Panel for Acetylene - Pipeline Pressure Relief Valve
- **GPM413S** Series | Single Stage Twin Cylinder Manual Control Panel for Acetylene - Slam Shut-Off Valve

★ FEATURES

- Low & high pressure isolation valves
- Process line Isolation valve
- Twin cylinder configuration
- Automatic quick acting shut-off device
- Flashback arrestor

🔧 MATERIAL

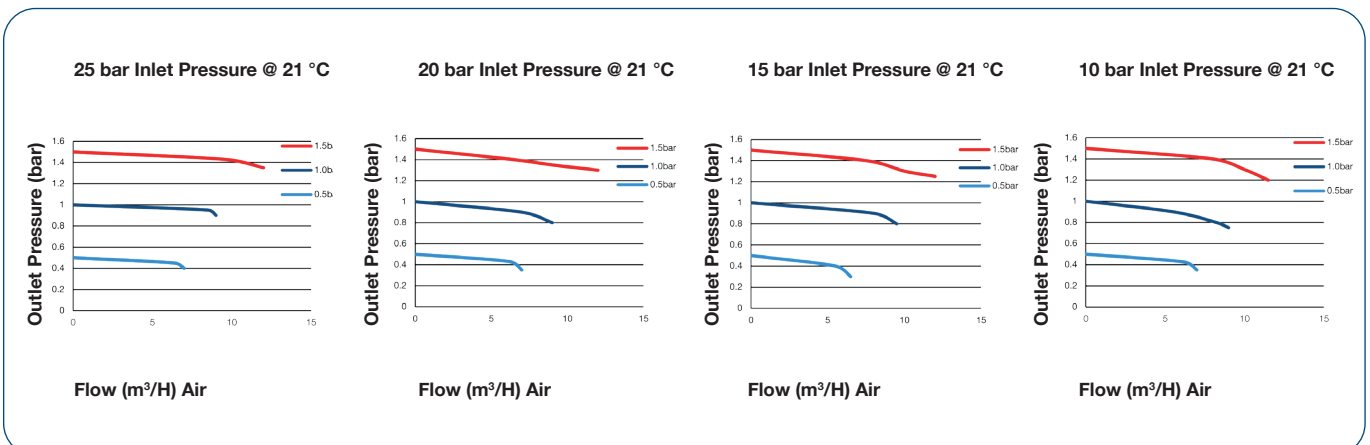
■ Body	Brass Barstock
■ Bonnet	High Strength Alloy
■ Diaphragm	Polychloroprene (Neoprene®) (CR)
■ Seat	Polyurethane

👍 SPECIFICATION

- Maximum Inlet Pressure 25 bar (360 PSI)
- Delivery Pressure Range 1.5 bar (22 PSI)
- Gauges 50mm (2") Diameter
- Ports 1/4" NPT Inlet / 1/2" BSP Outlet
- Temperature Range -20° C to +60° C (-4° F to +140° F)
- Weight **GPM413P** 9.63 kg (21.23 lbs) ****
GPM413S 12.85 kg (28.33 lbs) ****
- BS EN ISO 14114 Compliant
- BS EN ISO 15615 Compliant (Safety Devices Only)

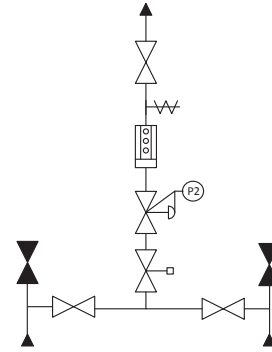
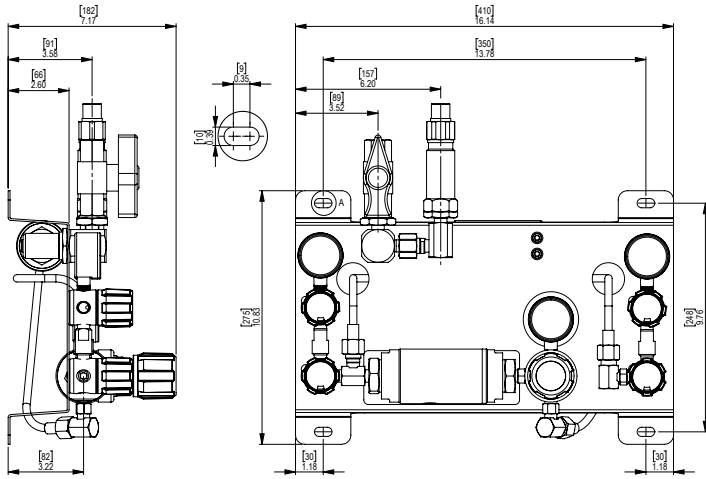
**** Subject to final configuration

✓ FLOW PERFORMANCE



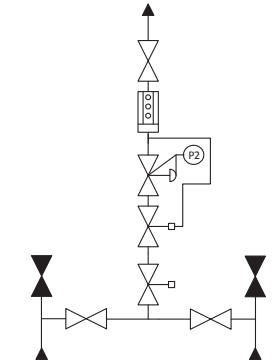
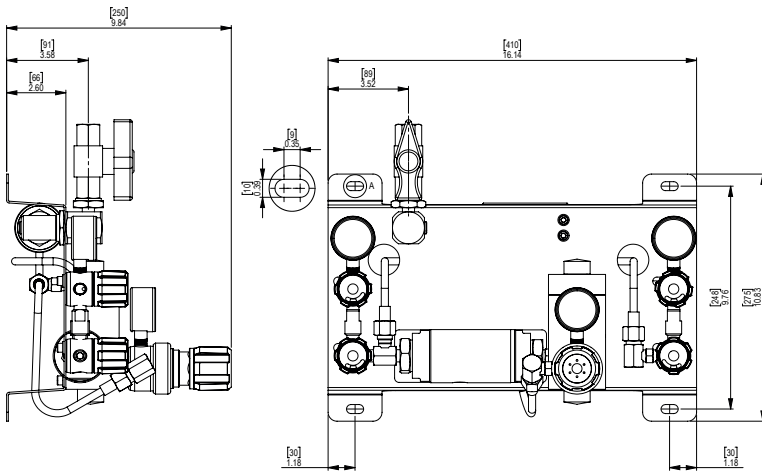
DRAWINGS

GPM413P



- P1 - Pressure Gauge
- Automatic Quick Acting Shut-off Valve
- Purge Valve (closed)
- Isolation Valve
- Adjustable Pressure Regulator with P2 Pressure Gauge
- Flashback Arrestor
- Pressure Relief Valve

GPM413S



- P1 - Pressure Gauge
- Automatic Quick Acting Shut-off Valve
- Purge Valve (closed)
- Isolation Valve
- Adjustable Pressure Regulator with P2 Pressure Gauge
- Flashback Arrestor
- Pressure Sensitive Shut-off Valve

MODEL NO. SELECTOR GUIDE

Example for a Model No. for GPM413 Series

Product Type	Inlet Pressure Bar [PSI]	Outlet Pressure Bar [PSI]	Inlet Pressure Gauge	Outlet Pressure Gauge	Inlet/Cylinder Connection	Outlet Connection	Options
GPM413P-	01 25 [360]	02 0 to 1.5 [22]	01 bar/PSI	01 bar/PSI	000 1/4 NPT Female	76 1/2" BSP FemaleRH	A No Options Selected
GPM413S			02 bar/PSI Contact Gauge		089 1/4 BSP Male RH		K Certificate of Conformity P Calibration/ Pressure Test Certificate X Special Instruction